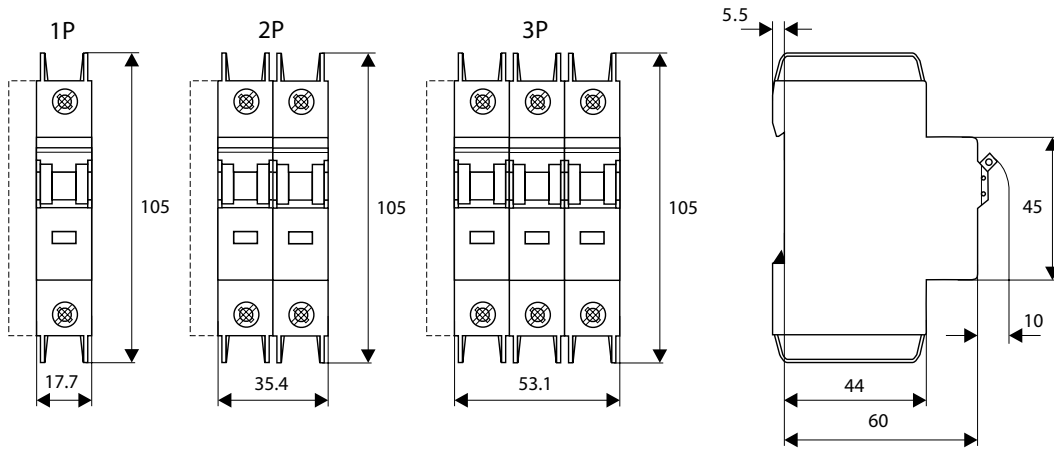


Branch Circuit Breakers

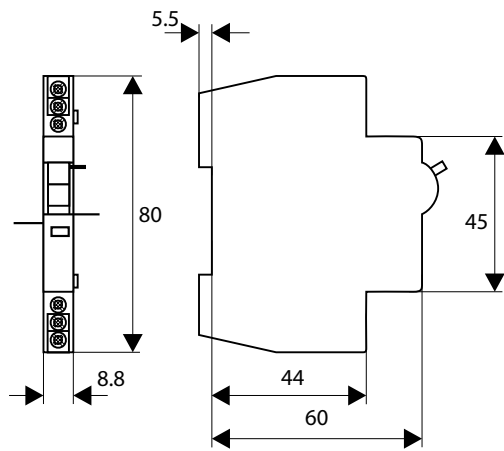
FAZ-NA, FAZ-RT

Dimensions are in millimeters.
Not intended for manufacturing purposes.



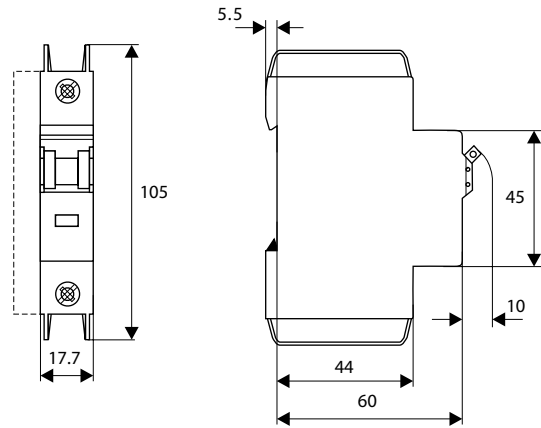
Auxiliary Contact / Trip-indicating Contact

Z-NHK



Shunt Trip

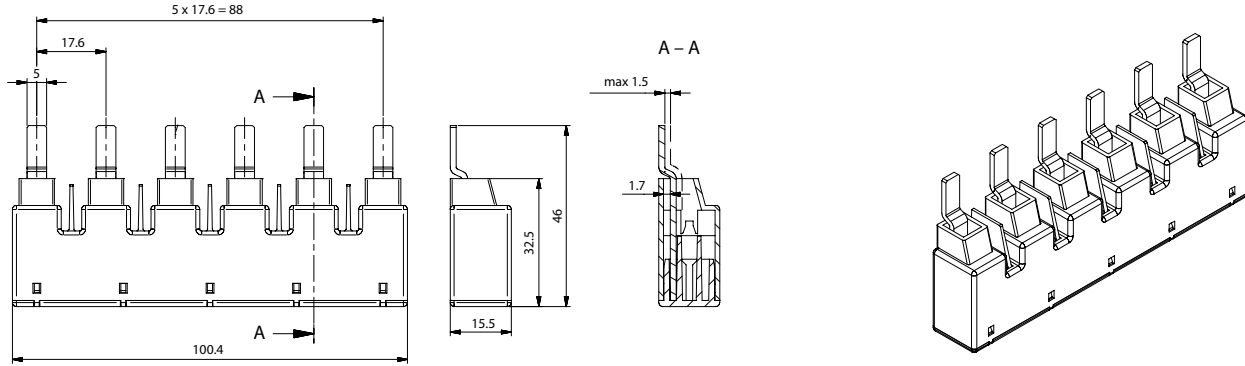
FAZ-XAA-NA



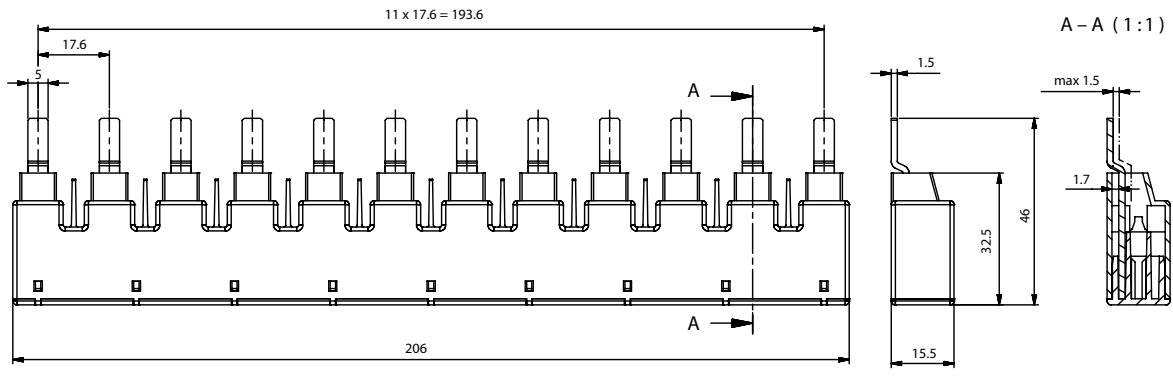
Bus Bar

- Z-SV/UL-16/1P-1TE/6
- Z-SV/UL-16/2P-2TE/6
- Z-SV/UL-16/3P-3TE/6

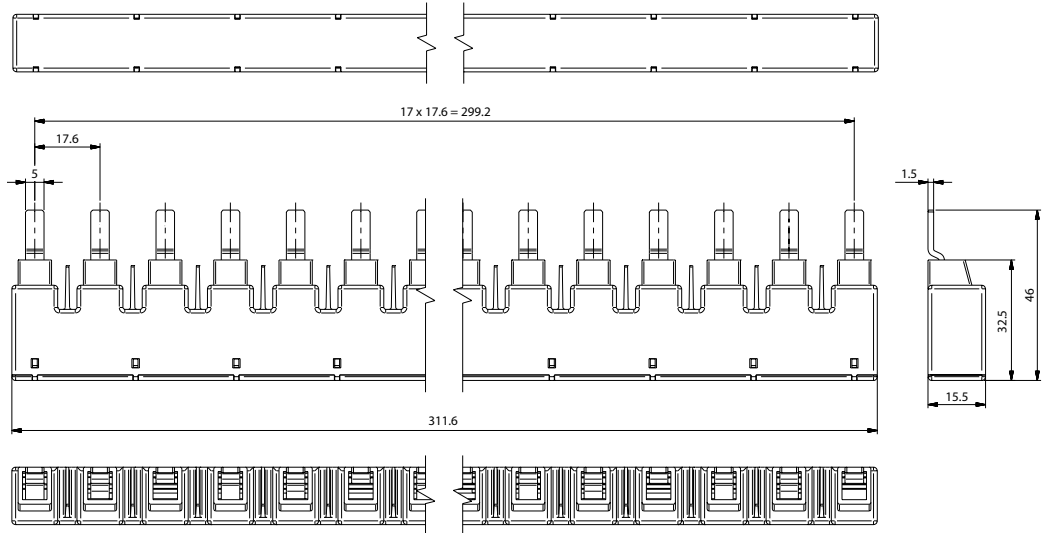
Dimensions are in millimeters.
Not intended for manufacturing purposes.



- Z-SV/UL-16/1P-1TE/12
- Z-SV/UL-16/2P-2TE/12
- Z-SV/UL-16/3P-3TE/12



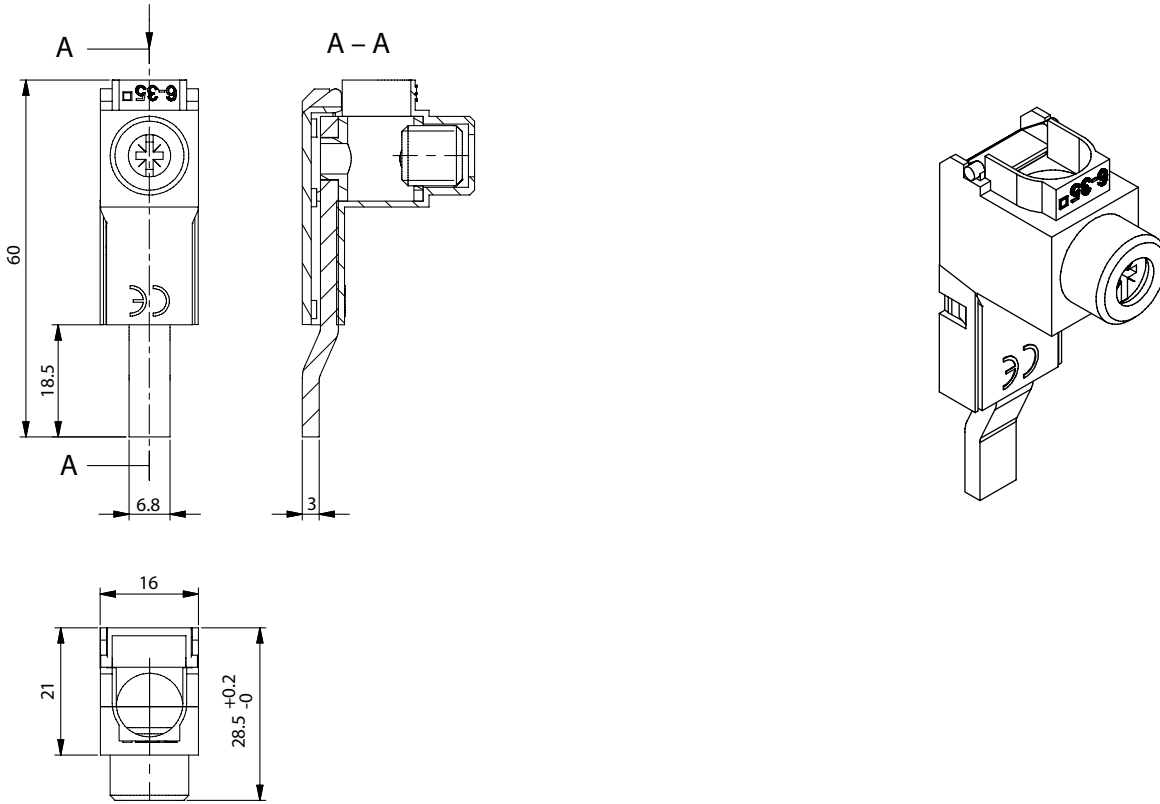
- Z-SV/UL-16/1P-1TE/18
- Z-SV/UL-16/2P-2TE/18
- Z-SV/UL-16/3P-3TE/18



Incoming Supply Terminals

Z-EK/35/UL

Dimensions are in millimeters.
Not intended for manufacturing purposes.



Z-EK/35/UL supply terminals may only be installed per the illustration below.

